

Overview

IntraLAN SmartRoom Network Adapters allow CAT5 networks to interface with non-standard network devices. The units can function as an integral part of either the LINKS or ULTRA SmartRoom or as a standalone solution for any ethernet network.



Adapters that standardize non-standard devices.

The IntraLAN Power Adapter adopts the PoE Standard (803.2af) and provided a series of useful components to:

- Enhance the networking capabilities
- Extend the standard ethernet network beyond the 300-foot limits
- Adopt the standard 803.2af signal to “non-standard” PoE devices and even non-PoE devices

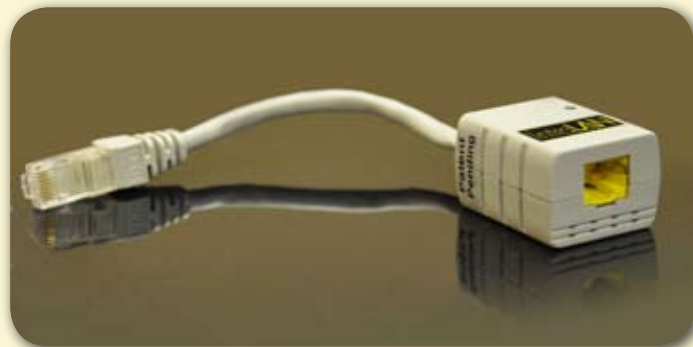
These 803.2af PoE Power Adapters help to transform standard 803.2af PoE network appliances, such as an 8-port PoE switch, into a more powerful tool by allowing these connect, power, and manage a complete range of non-standard devices. This is accomplished by “bridging” from the standard 803.2af format to the format of the “end device.”

Programmable for all kinds of demanding devices.

IntraLAN Power adapters can be programmed to:

- Change power levels
- Change the pinout on the PoE design
- Completely split the power out into a power “pig tail” with any size barrel connector and any voltage!

Additionally, these adapters are available in “outdoor” rated enclosures to allow non-standard PoE devices that are used in an external environment (such as an outdoor access point, tower mounted equipment, etc.) to be connected, powered, and managed via a powerful web-based interface.



Smart Network Adapter



Smart Network Adapter w/12V connector

Technology

Input Voltage	36V to 57V DC (for higher power operation an input voltage of 48V is recommended). Pin assignment is comply to IEEE 802.3af mode A or mode B
Input Current	400mA maximum continuous as per IEEE 802.3af
PD Detection	Presents IEEE802.3af PD signature and Class 0 classification to PSE on any one pair
Ports	RJ45 shielded connector for PoE Input
Output ($\pm 3\%$)	Can be 5V, 7.5V, 9V, 12V, 18V or 24V
Output Current (RMS)	Can be 2A, 1.7A, 1.4A, 1A, 0.7A or 0.5A
Output Power	12 Watts maximum continuous. 12.94 Watts maximum. Maximum output power is determined by the input (voltage and current). Current IEEE 802.3af standard permits 12.94 Watts output.
Regulation (typical)	$\pm 3\%$
Ripple	< 100mV p-p (at DC Jack)
Efficiency	
End to end	$\approx 85\%$ (at 24W load at 48V input)
Ports	RJ45 shielded connector for Data Out Centre positive barrel 5.5mm x 2.1mm for DC Out
LED	PoE detection and classification

Environmental

Operation	0 to 50°C (32 to 122°F)
Storage	-20 to 65°C (-4 to 149°F)
Humidity	5% to 85% RH
Dimension	1.65 in x 1.26 in x 0.94 in (42 x 32 x 24 mm)
Weight	1.4 oz (40g)

Regulatory Approvals

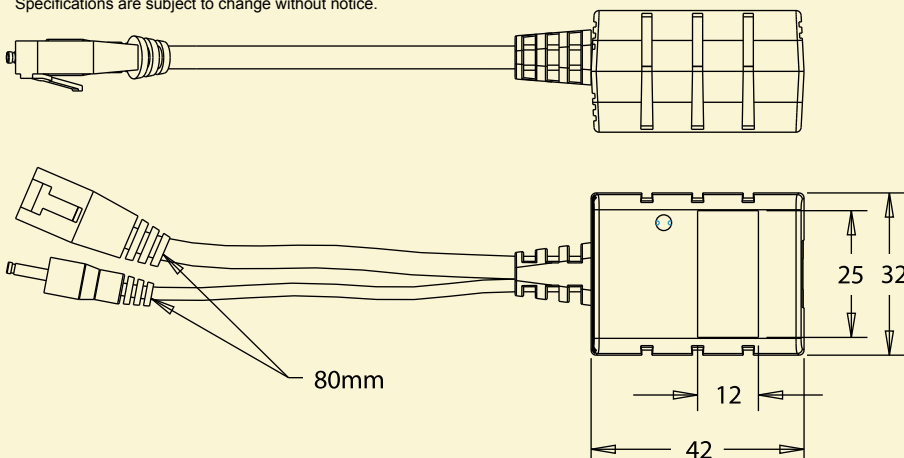
FCC Class B Part 15 and EN55022 (CISPR 22) Class B

ESD : EN61000-4-2

RS : EN61000-4-3

CS : EN61000-4-6

Specifications are subject to change without notice.



Adapter Specification



FRONT PANEL



Advanced Network Solutions
for the Hospitality Industry.

About Panoptic Corporation

Panoptic Technology's focus is to develop and enhance technologies to meet the ever increasing demands of business both today and in the future. Panoptic Technology optimizes technology migration by developing solutions that maximize performance while minimizing startup or investment costs.

Panoptic Technology

PO Box 510511
401 Ocean Ave, Suite 203A
Melbourne Beach, FL 32951
866-833-6785
info@panopticttechnology.com

Copyright (c) 2010 Panoptic
Technology. All rights reserved.
www.panopticttechnology.com